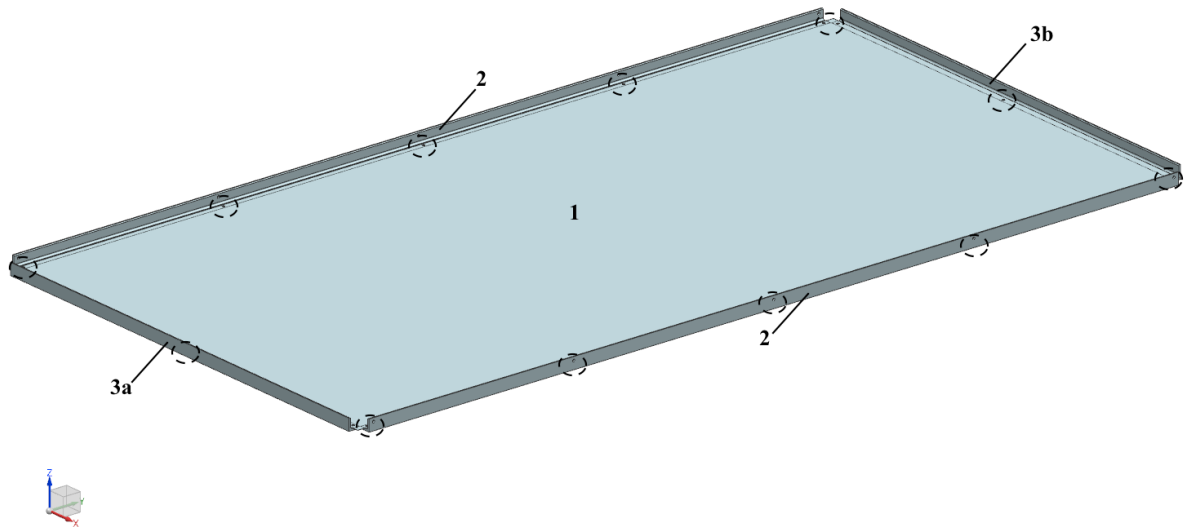


Solar Collector, Assembly Guide:

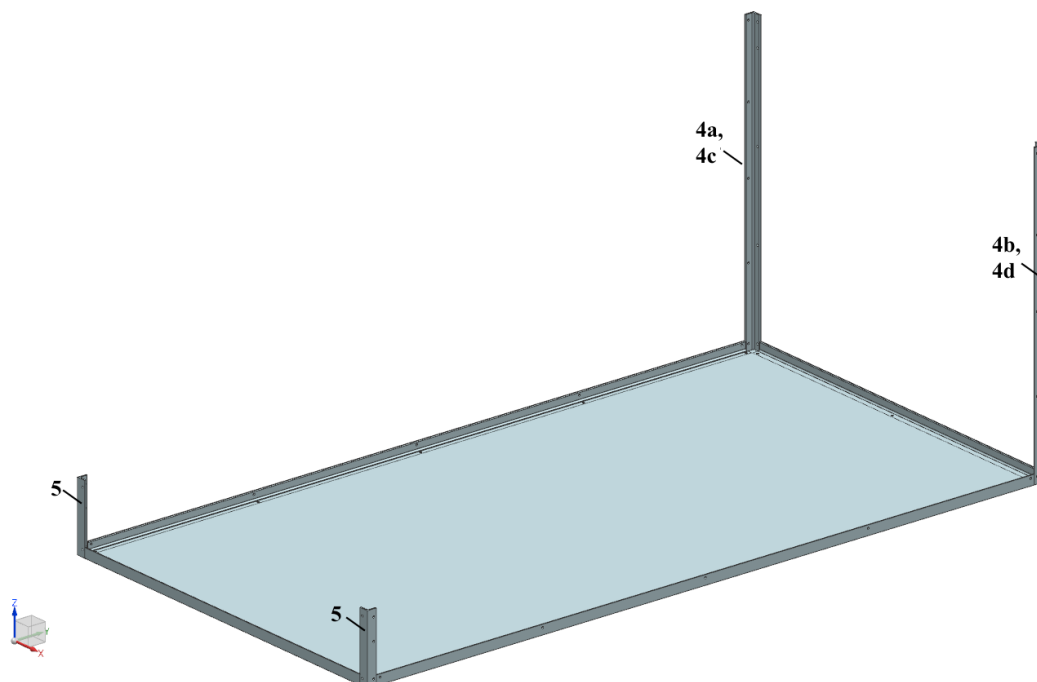
Step 1) Secure Part 1 to Parts 2, 3a and 3b at the locations circled



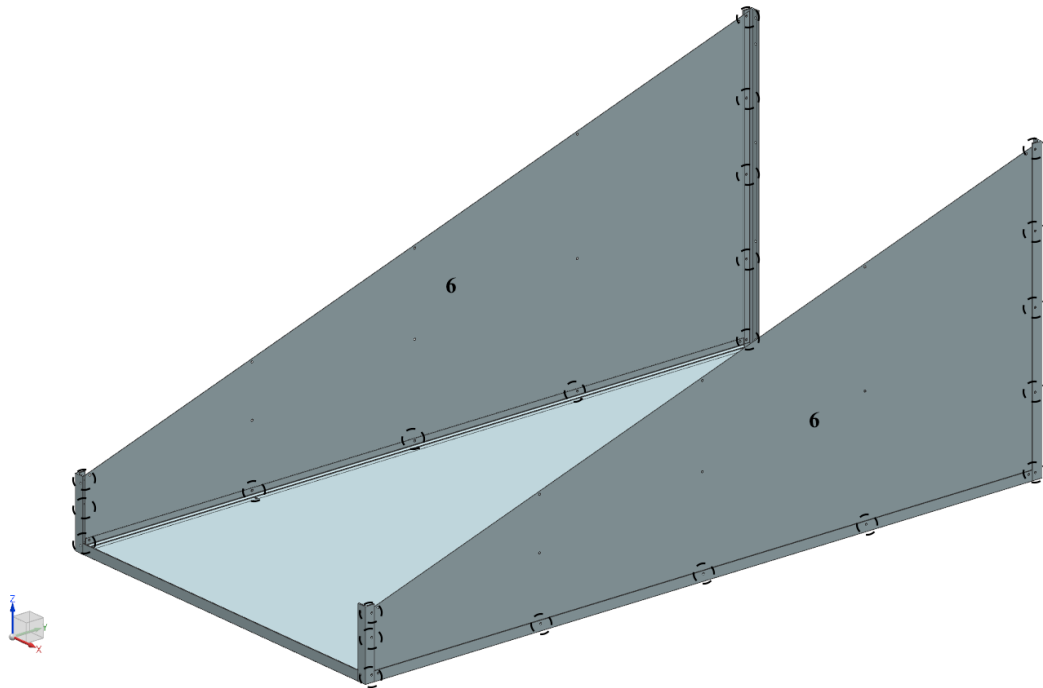
Step 2)

For Solar Collectors 1 & 3: Align Parts 4a, 4b and 5 with the assembly in Step 1

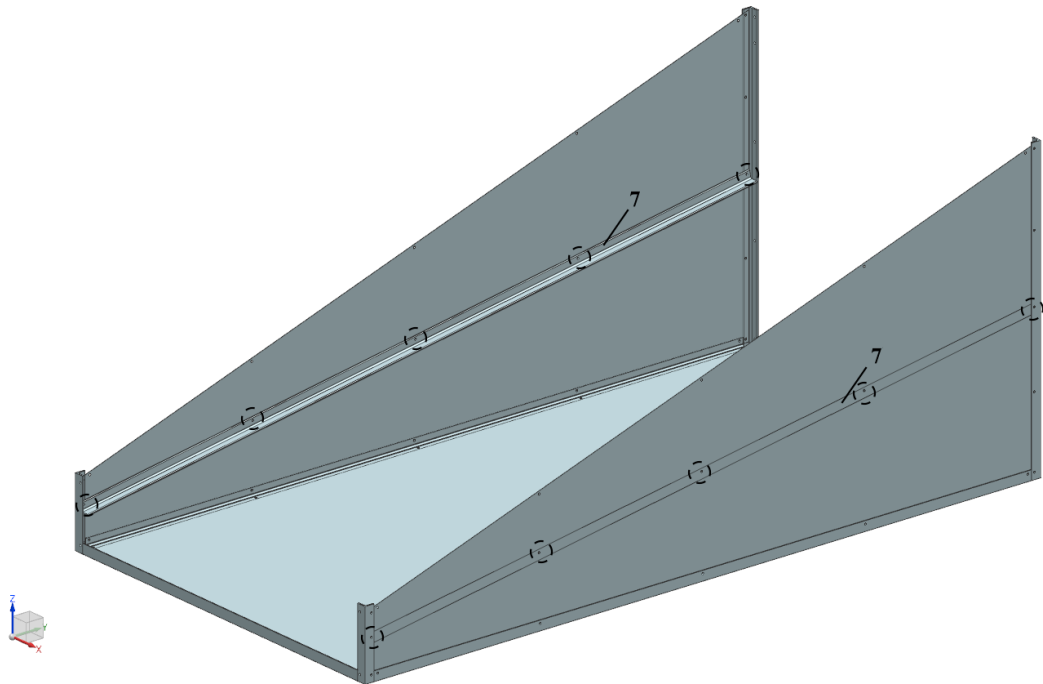
For Solar Collector 2: Align Parts 4c, 4d and 5 with the assembly in Step 1.



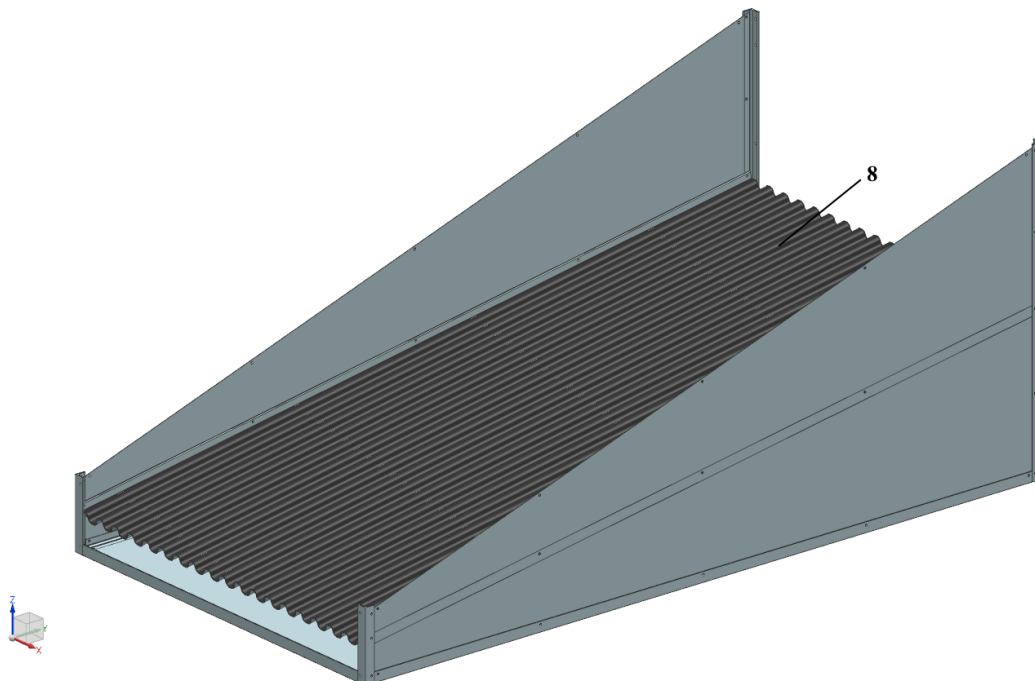
Step 3) Secure Parts 6 to Parts 4 and 5 at the locations circled



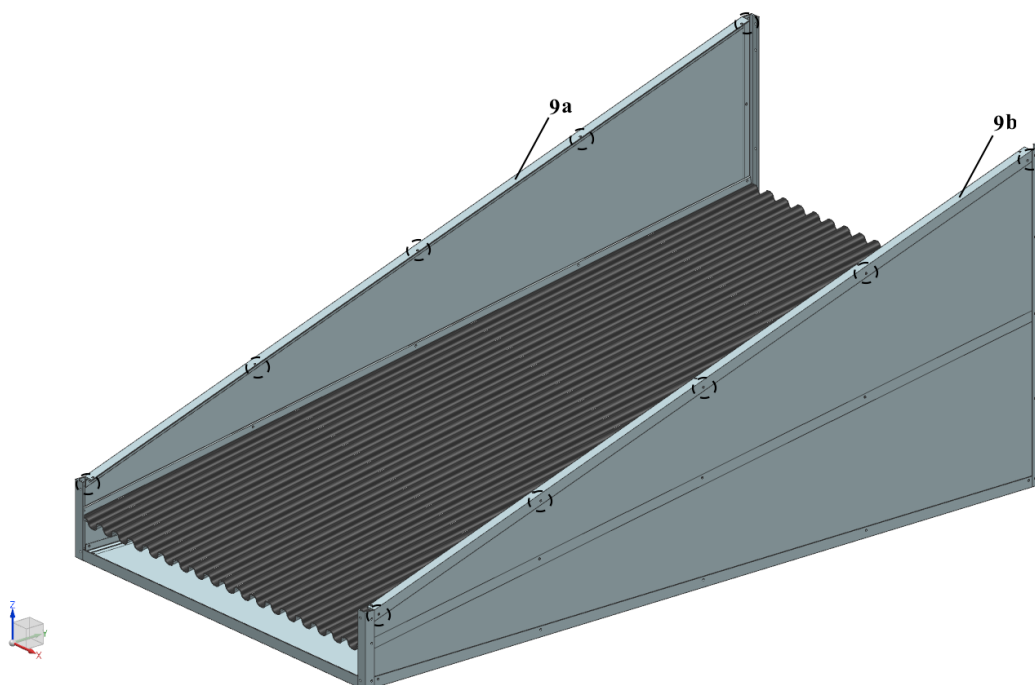
Step 4) Secure Parts 7 with the previous assembly at the locations circled. Note: Some of the previous screw locations in the previous step will be reused.



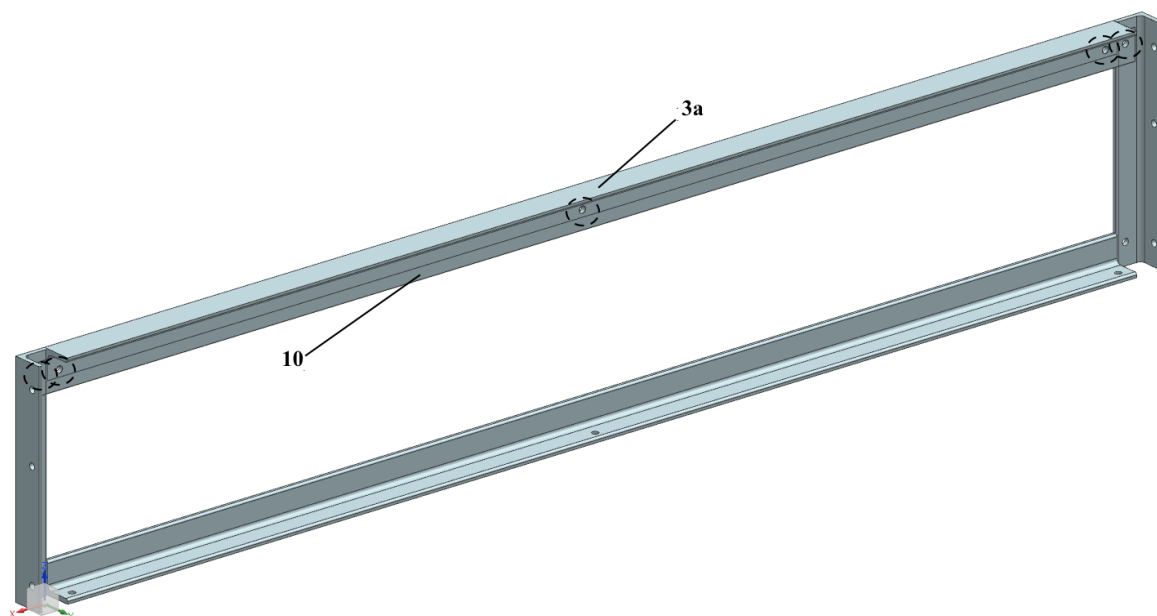
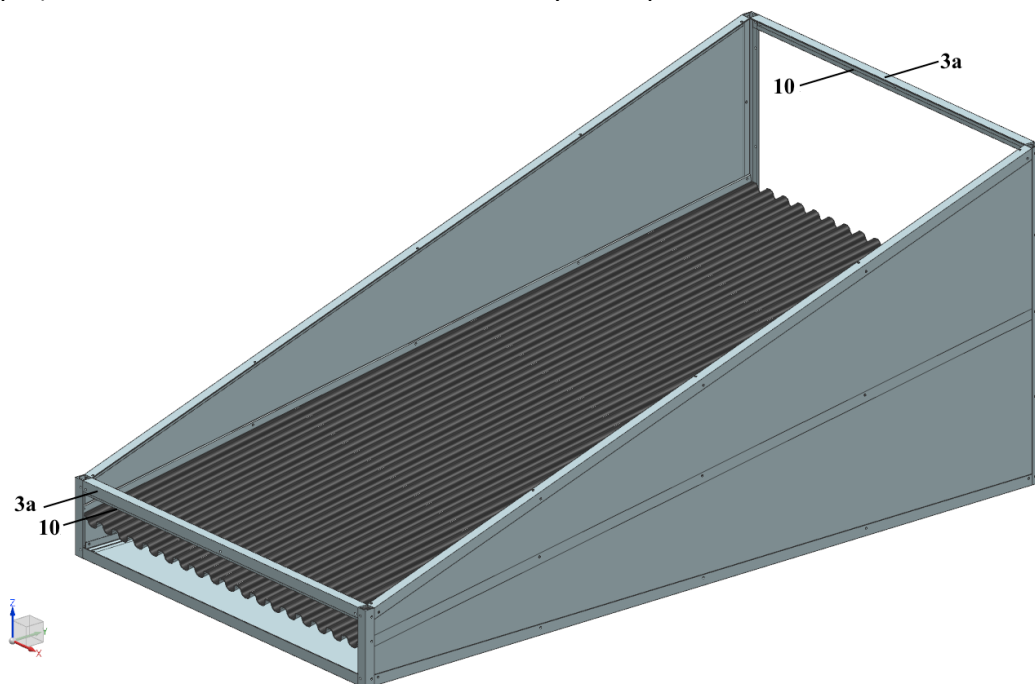
Step 5) Rest Part 8 on the assembly in Step 4 such that it rests on Part 5.



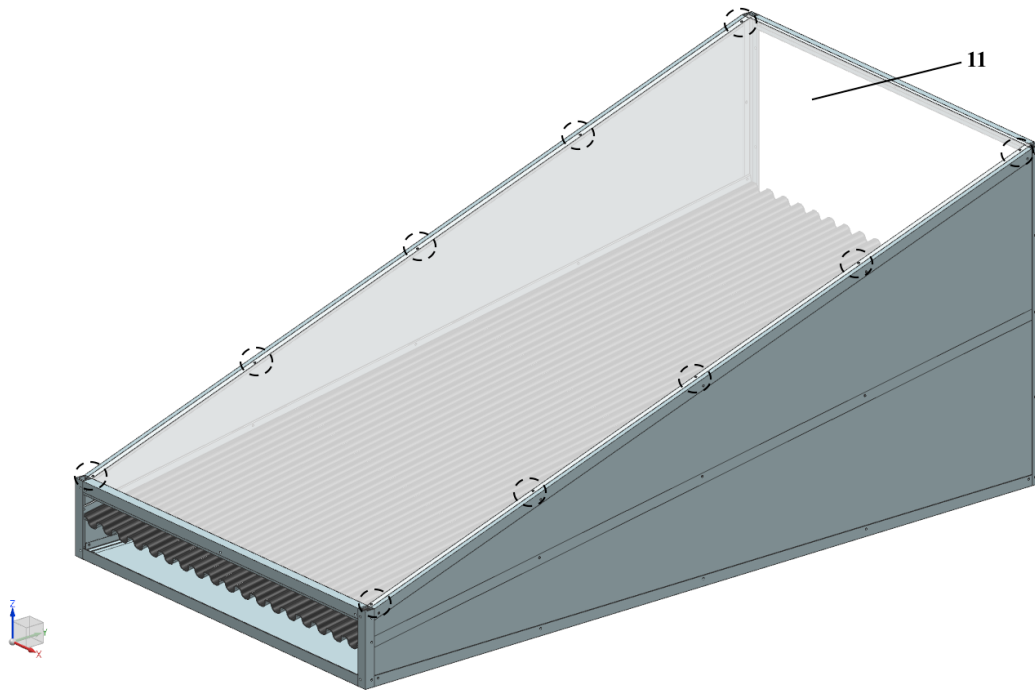
Step 6) Secure Parts 9 to Parts 6, 5 and 4 in the previous assembly at the locations circled.



Step 7) Secure Parts 10 and 11 to the assembly in Step 6 at the locations circled.



Step 8) Secure Part 12 to the assembly in Part 7 at the locations circled. Note: At the interface between Part 12 and Parts 10 caulk will be needed to create a seal.

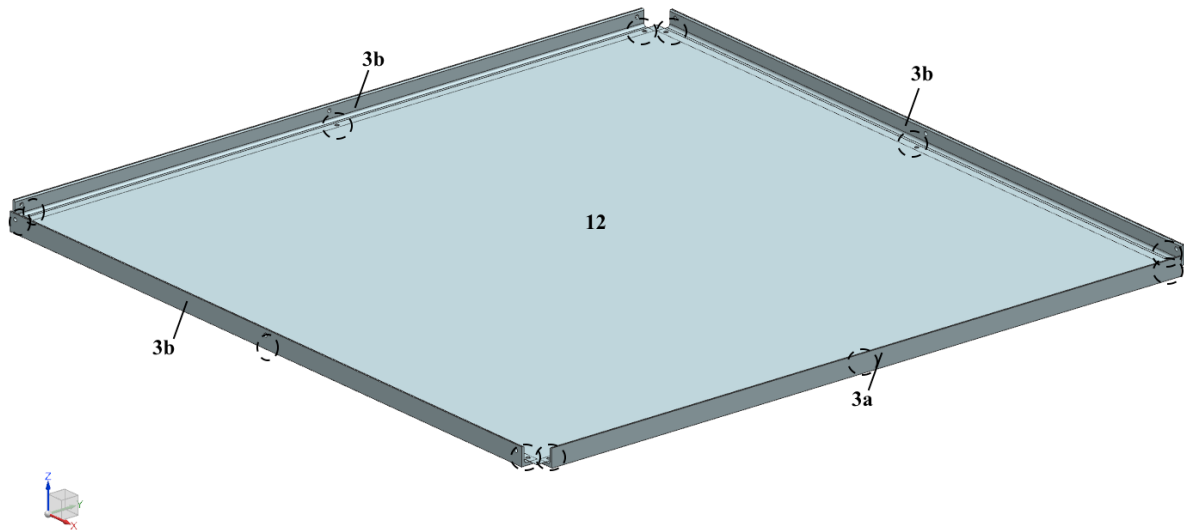


Parts needed:

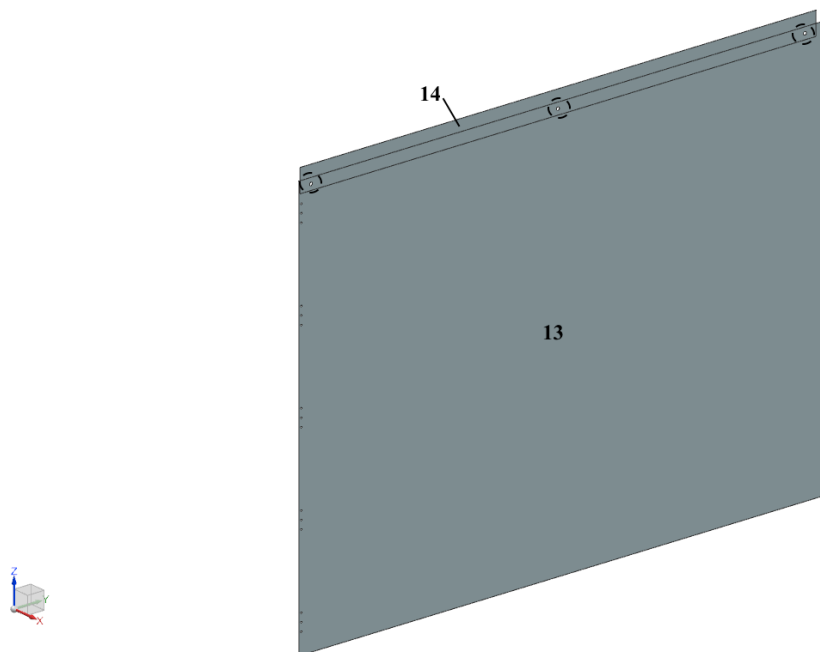
___ ¼-20 screws (length ¼") and nuts

Lower Cabinet Assembly Guide:

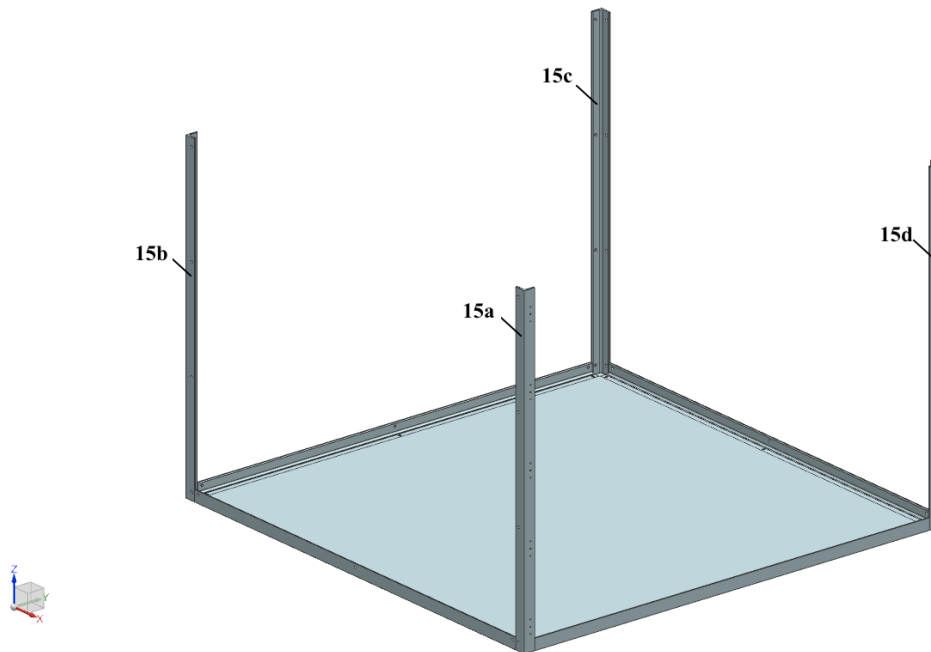
Step 9) Attach Part 12 to Parts 3a and 3b at the locations indicated (12 locations)



Step 10) Attach Parts 13 and 14 at the locations indicated. Set aside for later attachment.

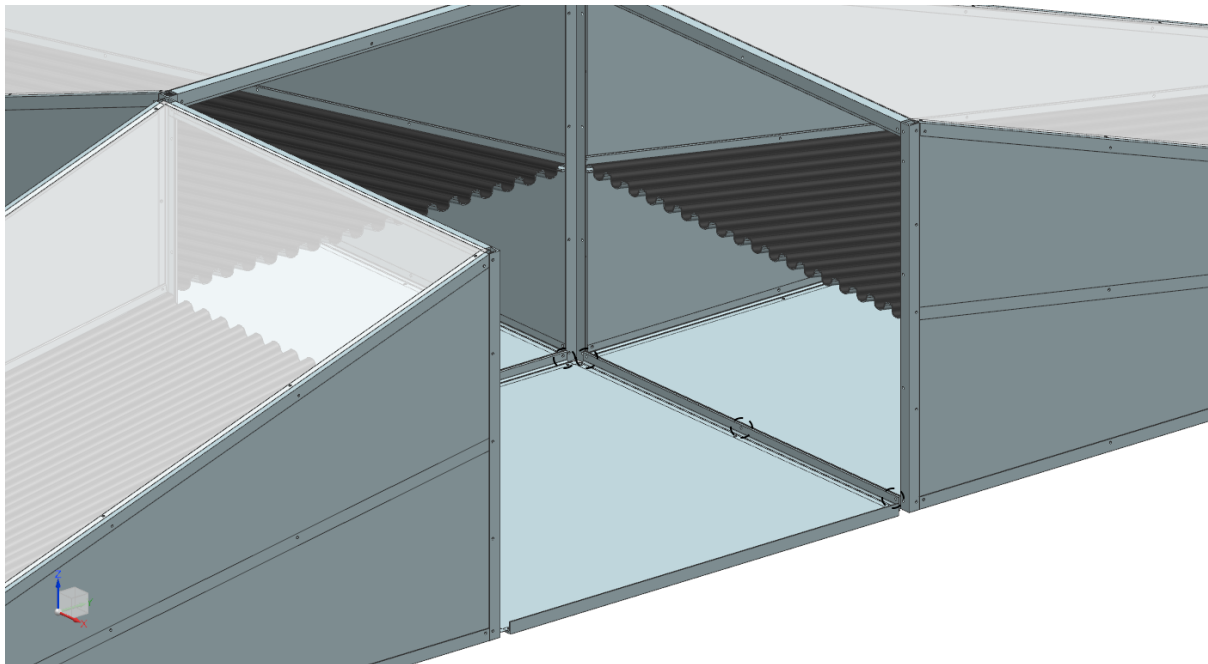


Step 11) Align Parts 15a, 15b, 15c and 15d with the assembly in Step 10.

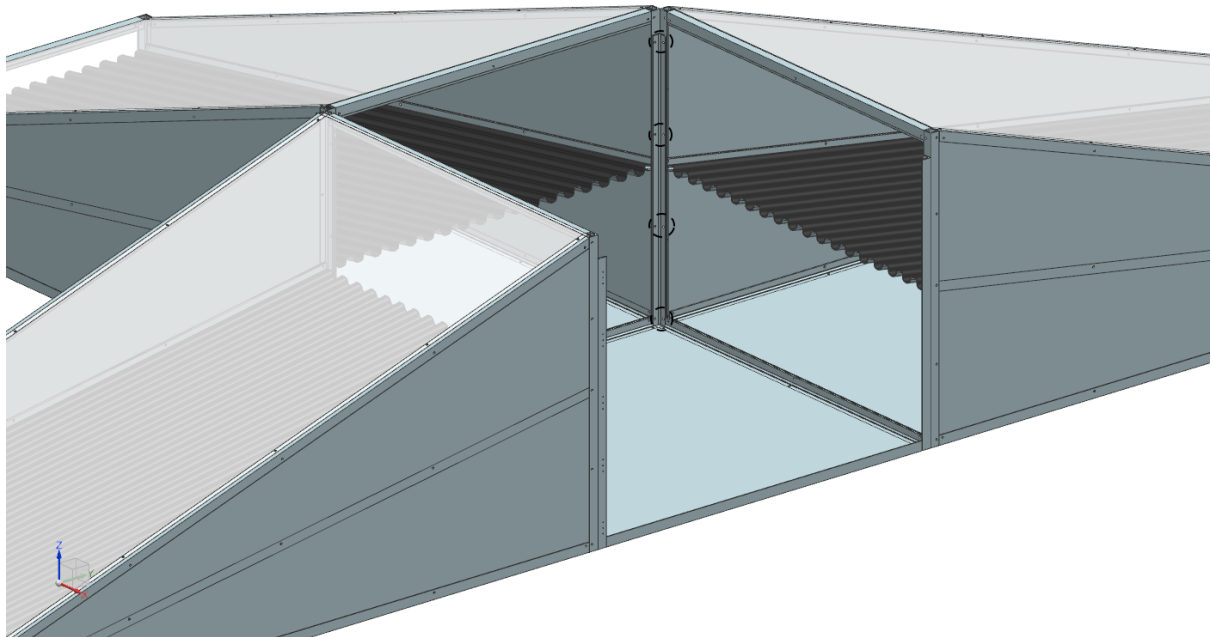


Solar Dryer Assembly:

Step 12) Attach the assembly from Step 10 to the assembled solar collectors 1, 2 & 3 at the locations indicated.

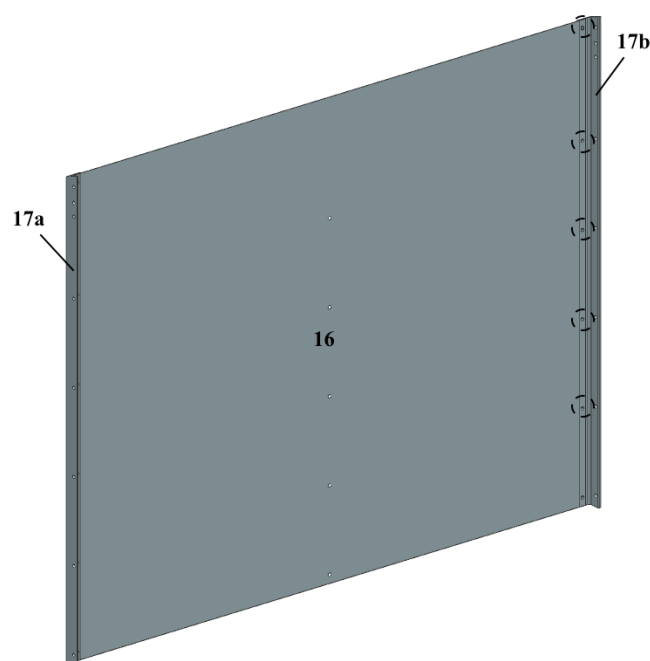


Step 13) Align the assembly in Step 11 with the solar dryer assembly. Connect at the locations indicated and repeat for 15a, 15b, 15c and 15d.

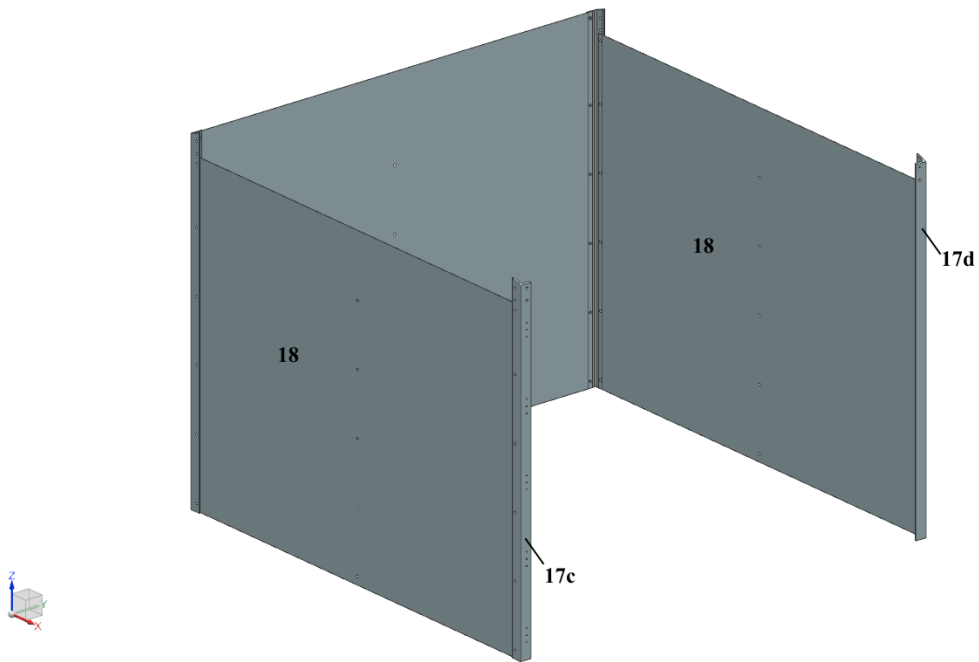


Upper Cabinet Assembly Guide:

Step 14) Align Parts 17a, 17b and 16 as shown and secure at the locations indicated on Parts 17b and 16 as well as the aligned clearance holes in 17a and 16. Note: do not secure the bottom holes yet; those will be used to secure the upper assembly with the lower assembly.

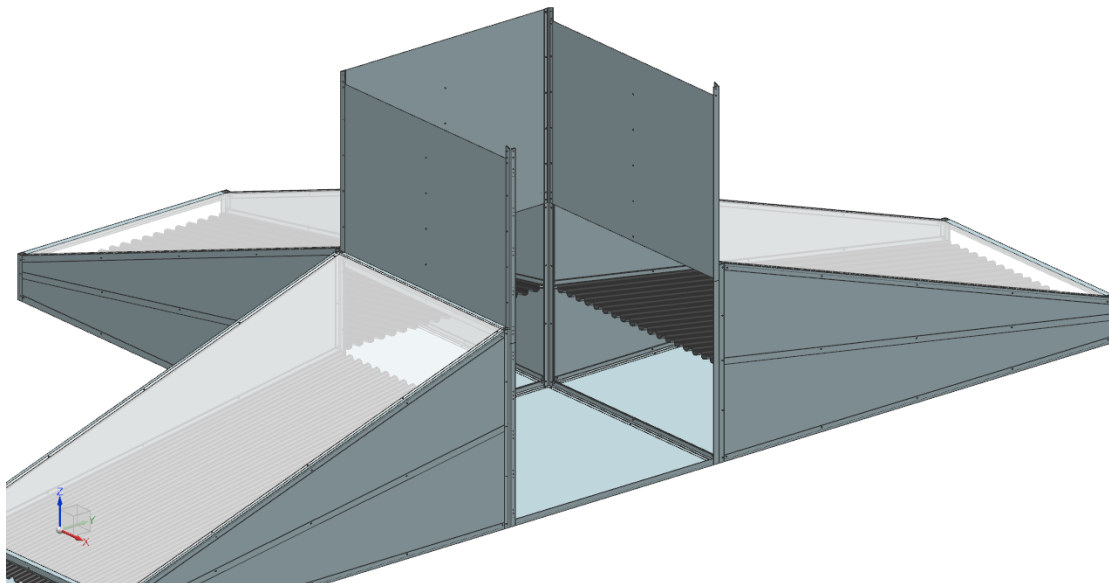


Step 15) Align parts 17c, 17d and 18 with the assembly in Step 16 and secure at the aligned through holes except for the bottom two holes.

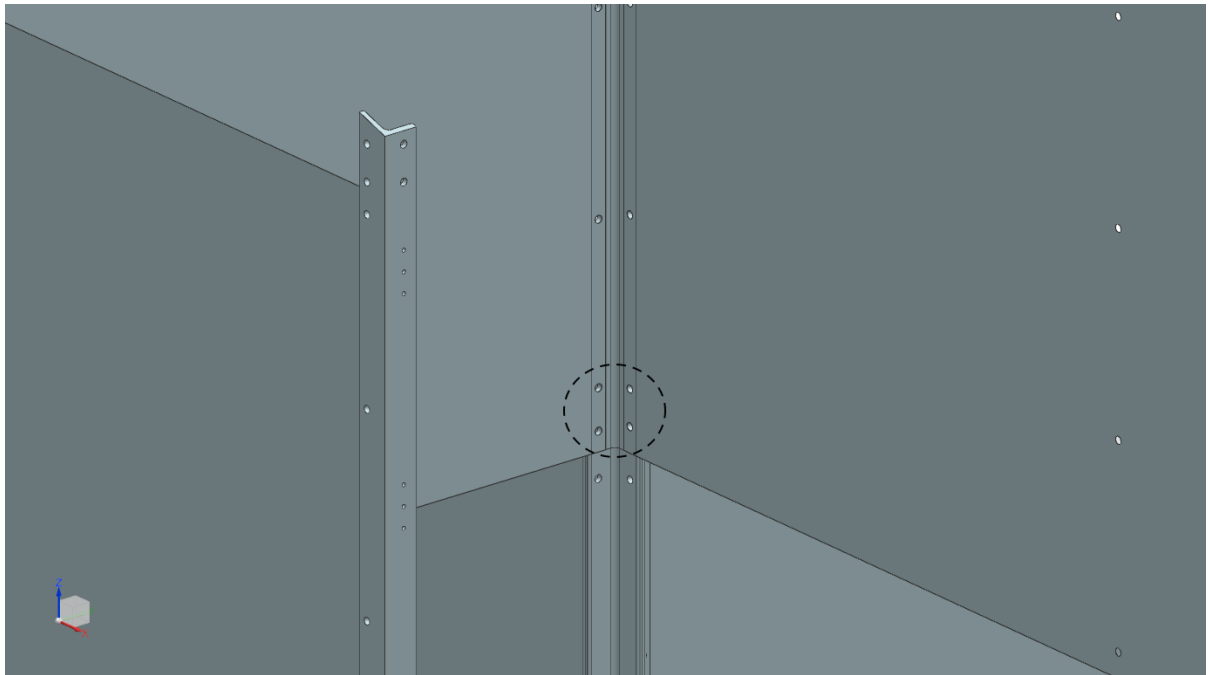


Solar Dryer Assembly Guide:

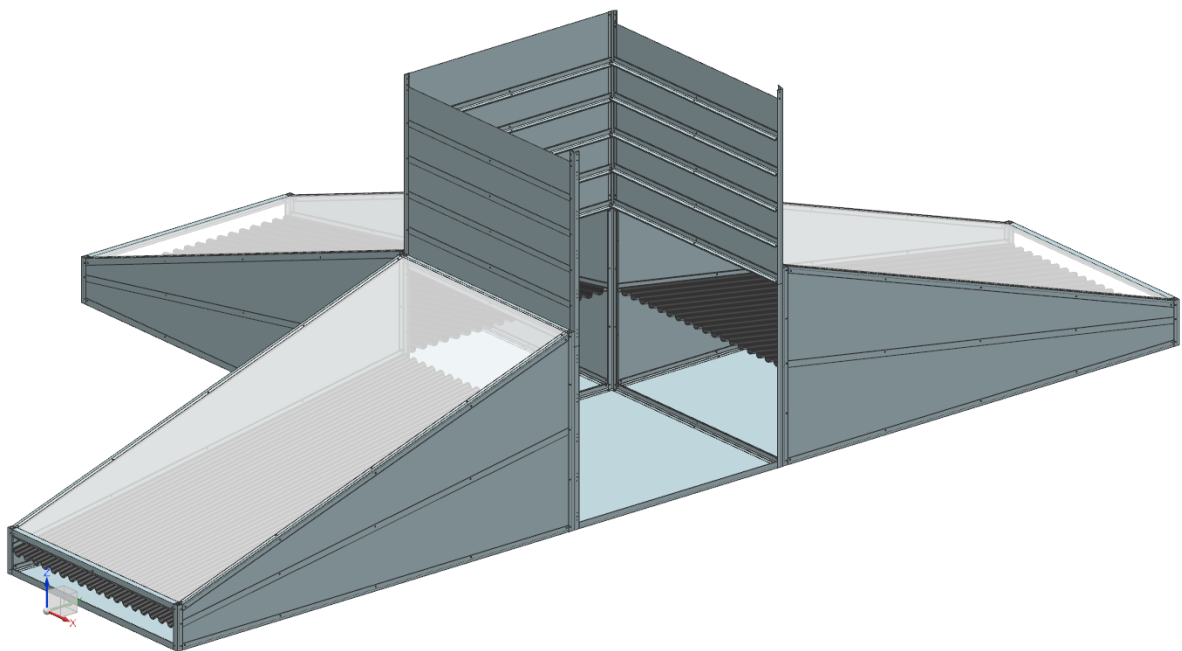
Step 16) Align the assembly from Step 15 with the solar dryer as shown below.



Step 17) Secure the parts in Step 16 together at the locations indicated (repeat at identical locations on 17a, 17b, 17c and 17d). Note: some bolts may need to be unscrewed and rescrewed in order to secure the parts.

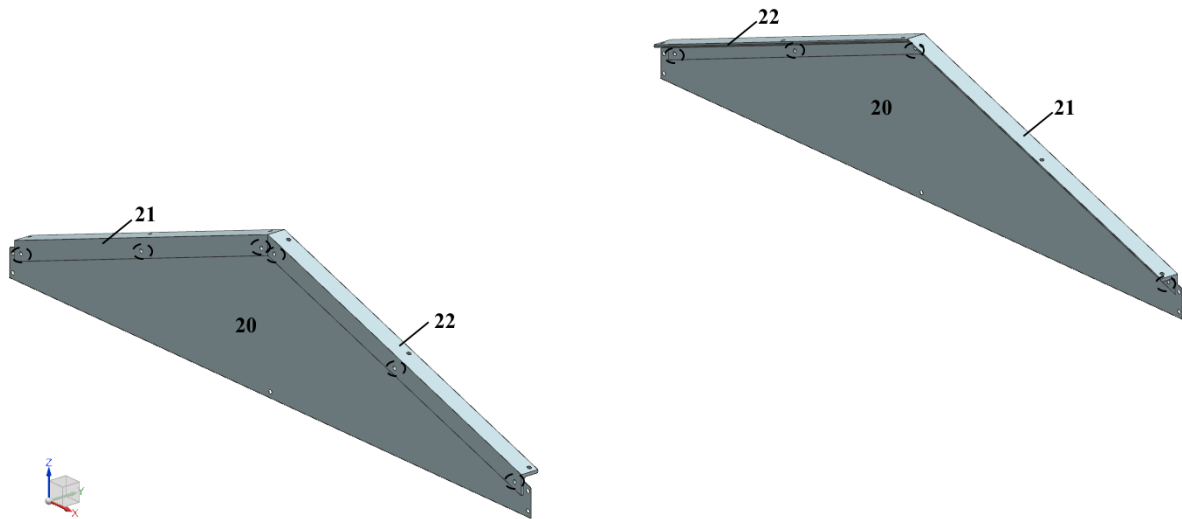


Step 18) Secure Part 19 (the 15 shelf pieces) as shown below. There are three screw locations for each shelf. Some screws may have to be unscrewed and reattached where the upper cabinet connects with the lower cabinet and solar collectors.

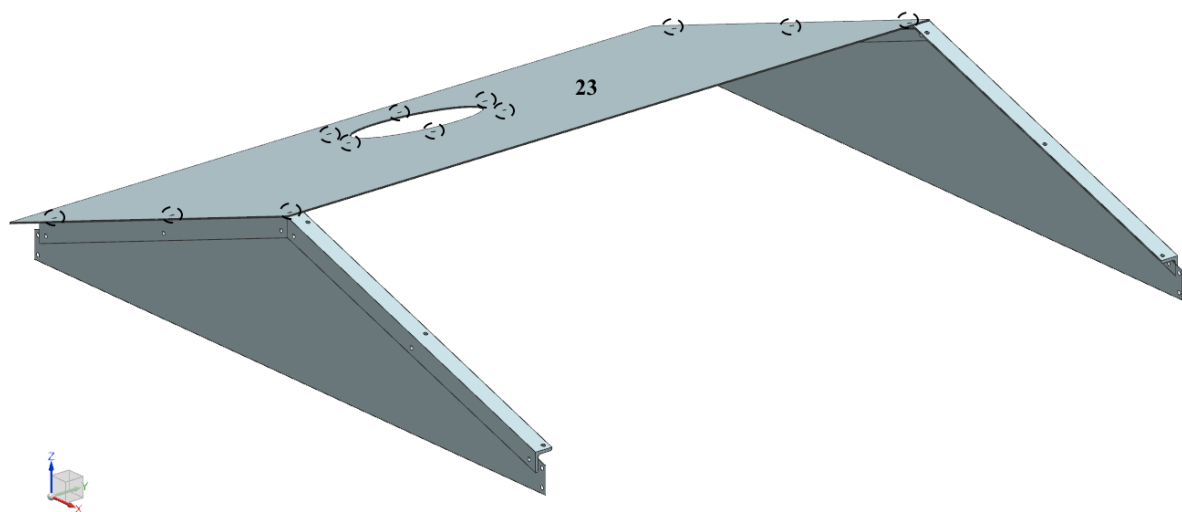


Roof Assembly Guide:

Step 19) Secure Parts 20, 21 and 22 together as shown. Note the switching of Parts 21 and 22 on the two different sides of the roof.

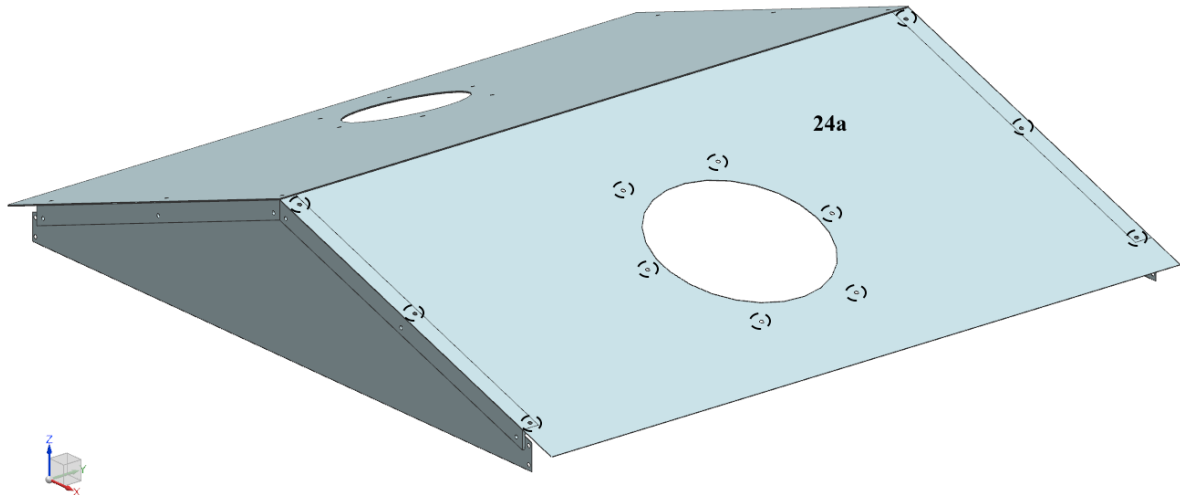


Step 20) Secure two Part 23s to the assembly from the previous step as shown. This is for the solar fan. Between the two Part 23s, sandwich the solar fan. Part 23 goes on top of Parts 21 and 22.

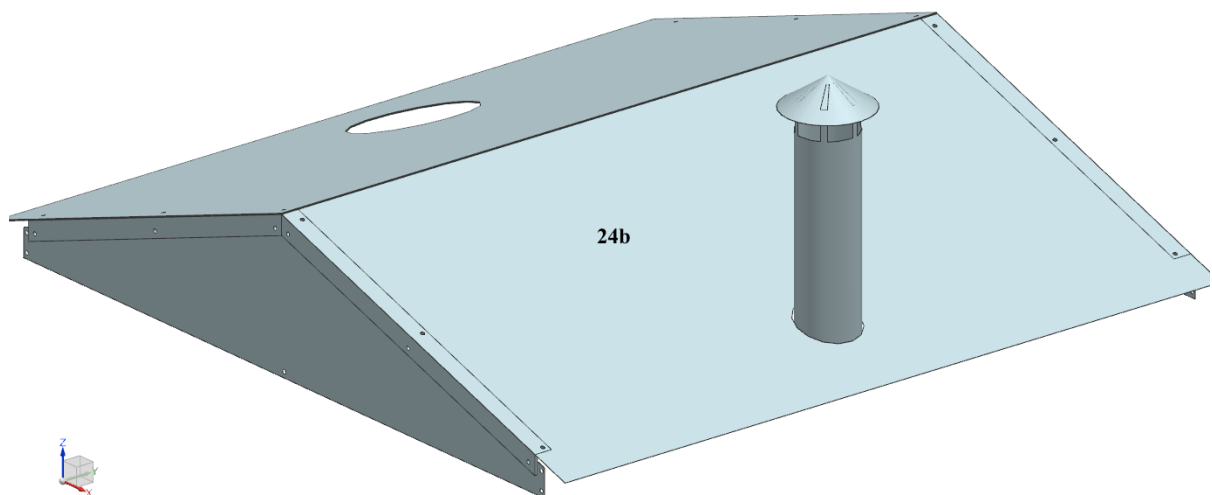


Step 21)

IF USING THE WIND TURBINE: Similar to the attachment method in the step above, use two Part 24a's to sandwich and trap the wind turbine and secure it to the roof.



IF USING THE CHIMNEY: Use only one Part 24b and secure it to the assembly in Step 20. Weld the chimney to Part 24b (where the opening is and stick the chimney about 2-3 inches below the surface of Part 24b) once it is assembled after the next step.

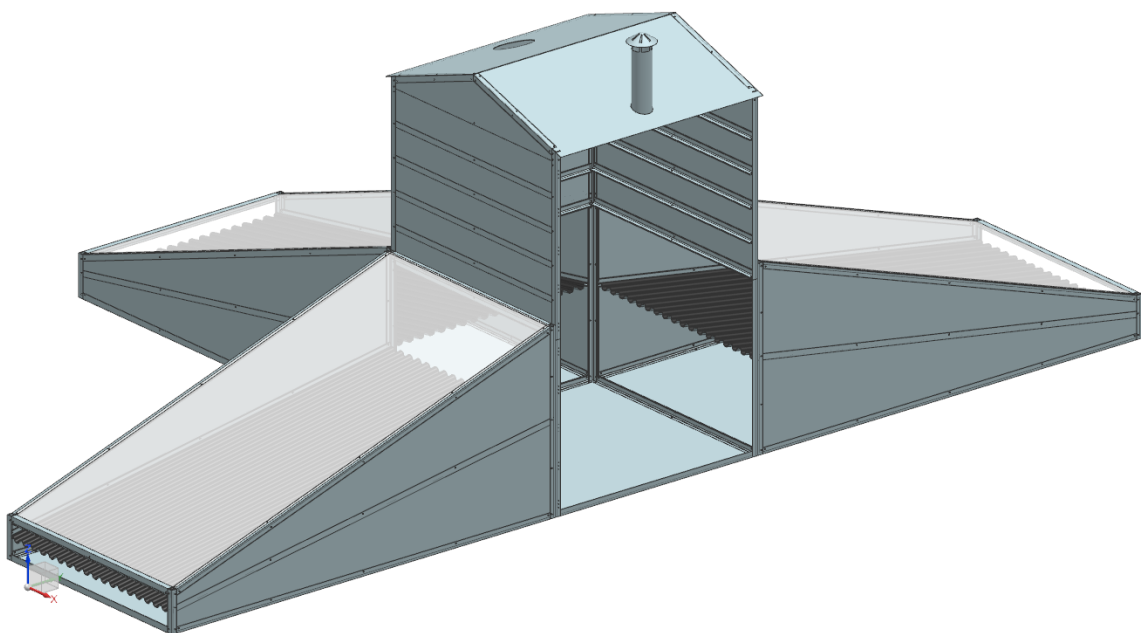


Chimney Assembly Guide:

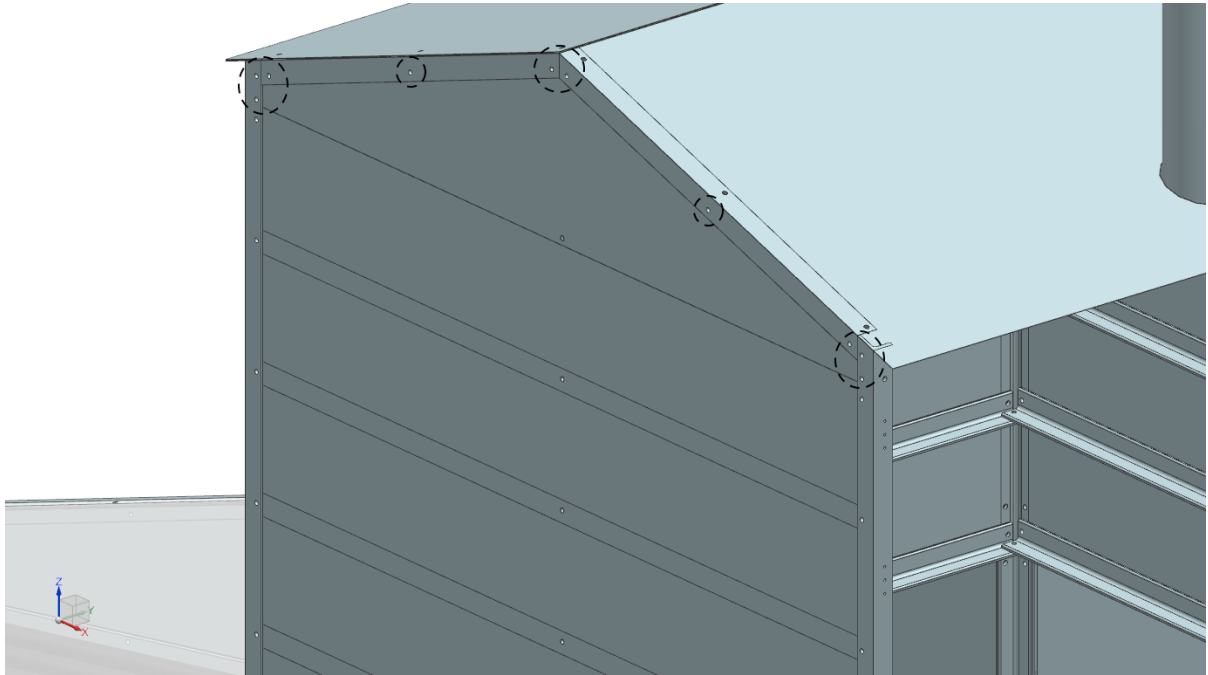
Step 22) To assemble the chimney, take Part 25 and cut slits on the top of the cylindrical tube such that they can be folded at an angle to support the chimney cap. (Part 26) Weld the chimney cap into place or use another simple mechanical attachment method.

Solar Dryer Assembly Guide:

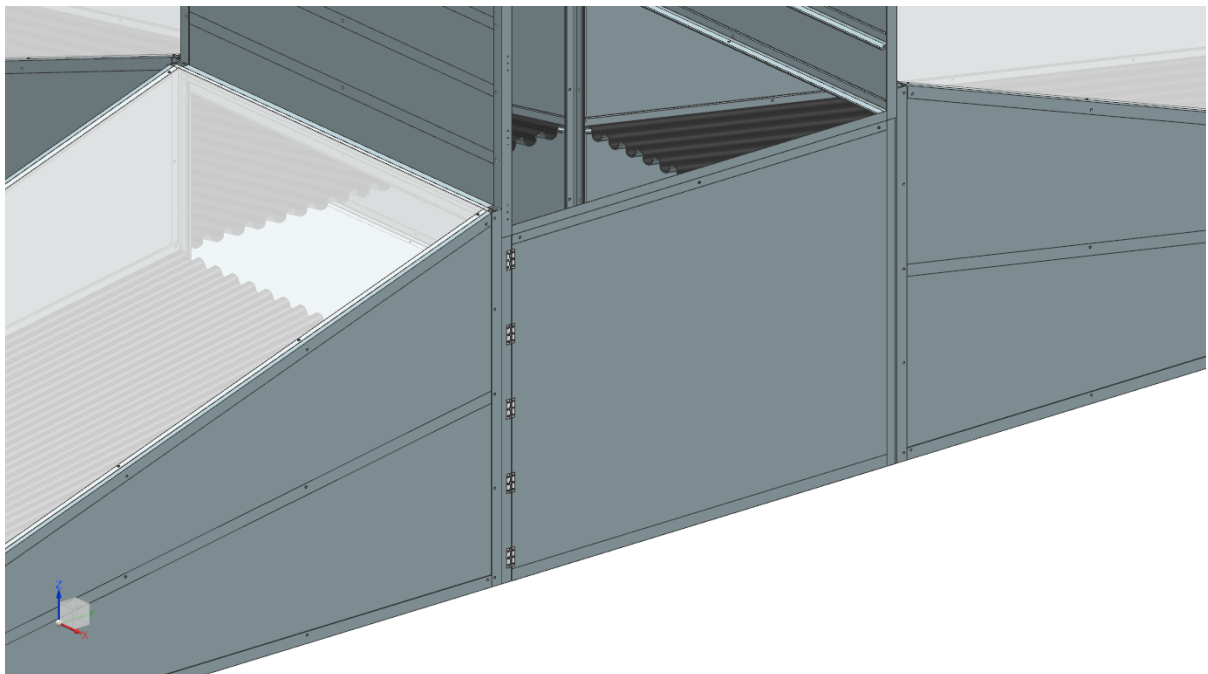
Step 23) Align the roof assembly with the solar dryer assembly as shown below. The solar fan should face the same direction as solar collector 2.



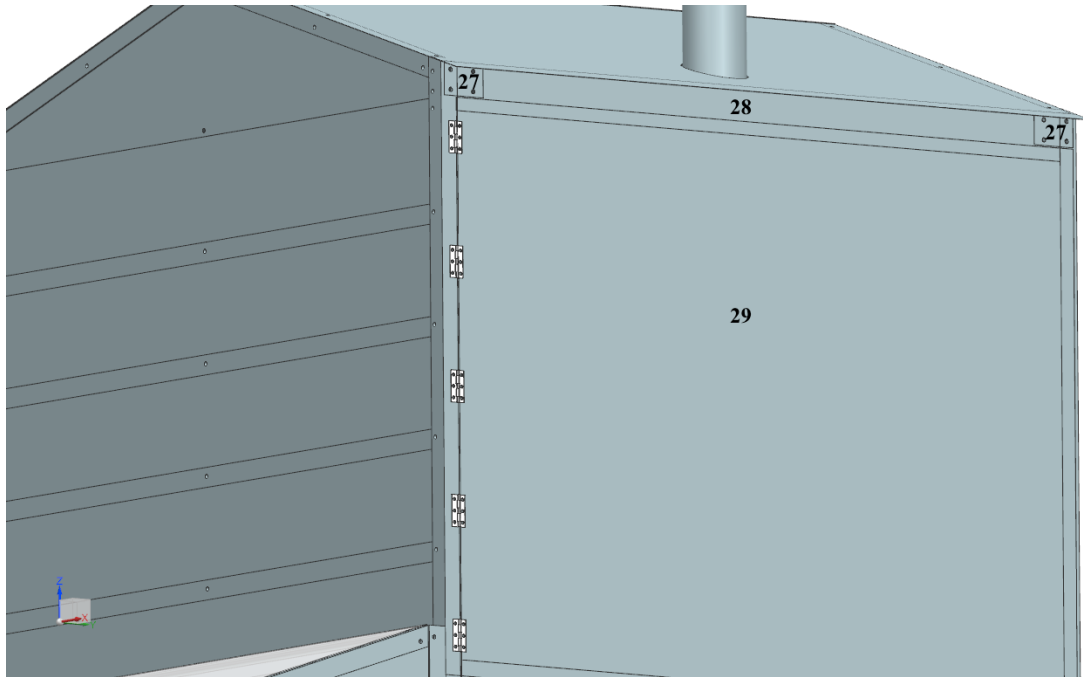
Step 24) Attach the roof assembly and the solar dryer at the locations indicated (repeat on the opposite side).



Step 25) Attach the lower cabinet door to the solar dryer with the hinges.



Step 26) Secure Parts 27 and 28 to the upper cabinet and secure the upper cabinet door (Part 29) as shown below.



Step 27) Secure magnetic tape along Parts 28, 14 and the faces of Parts 3a, 15d and 17d that the doors of the cabinets overlap on.